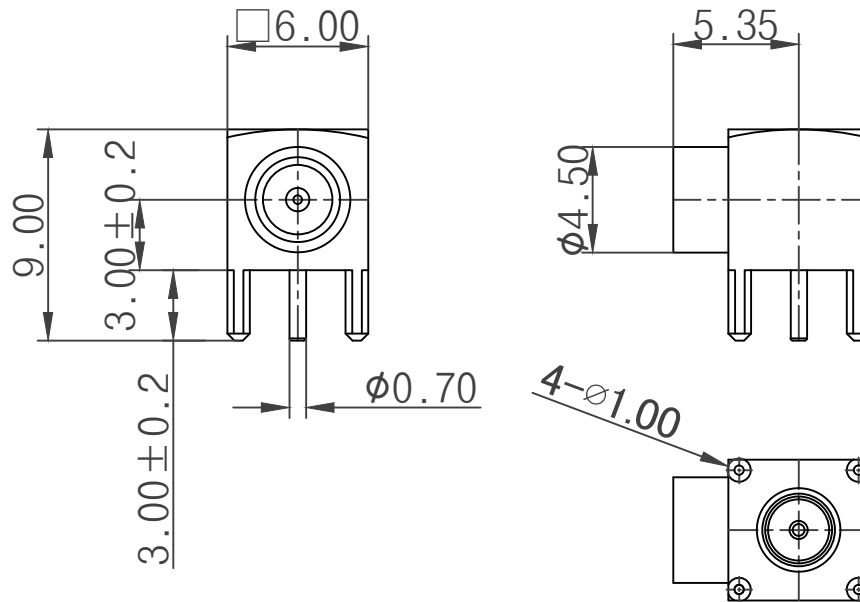


RoHS
Compliant

BOM				
ITEM	DESCRIPTION	MATERIAL	Q'TY	FINISHED
1	CENTER CONTACT	BRASS	1	GOLD PLATED
2	BODY	BRASS	2	GOLD PLATED
3	INSULATOR	TEFLON	2	NATURAL

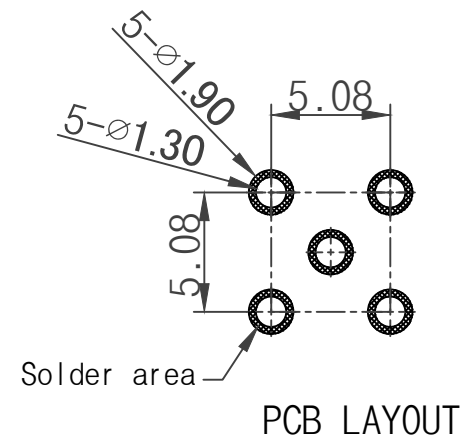


ELECTRICAL:

IMPEDANCE: 50 OHMS
 FREQ. RANGE: DC TO 18 GHz
 VSWR: 1.20:1 DC TO 18 GHz

MATERIAL AND PLATING (PLATING THICKNESS IN MICRO-INCHES)

1. BRASS PER QQ-B-626
2. GOLD PL. 3 MIN. THICK OVER NICKEL PL. 60 MIN. OVER COPPER STRIKE
3. TEFLON PER MIL-P-19468.



ITEM	Description	Date	Revision	Mender
REVISIONS				

REMARKS:	REV:	A1	TITLE:			
	DESIGNED:	Cary	SMP RIGHT ANGLE PLUG PCB LIMITED DETENT			
	DRAWN:	Cary	ASSEMBLY DRAWING	SCALE:	FIT	
	CHECKED:	XXXXX	DWG No:	3501-1A-P02	SHEET SIZE:	A4
	APPROVAL:	XXXXX	DATE:	2014/11/13	UNITS:	mm
TOLERANCES:		3RD ANGLE		Super Yong (Guang Zhou) electronic Co.Ltd		
DIM. X.X=±0.5 X.XX=±0.1						