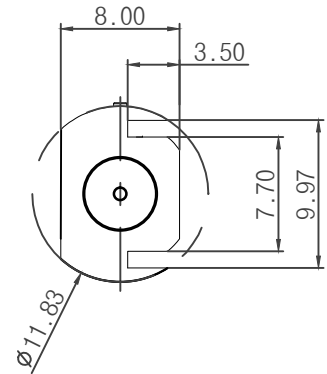
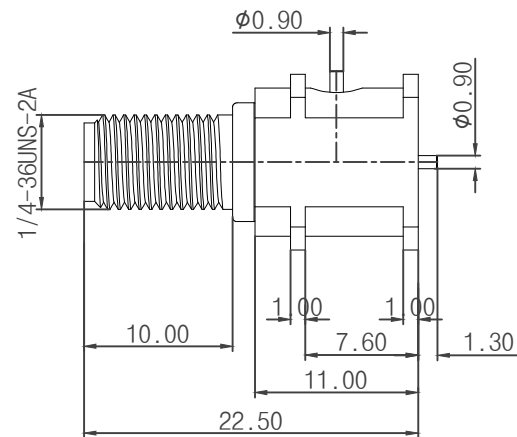
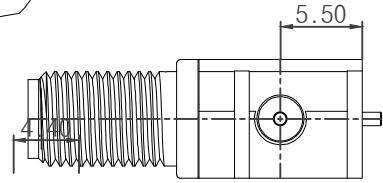
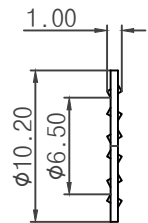
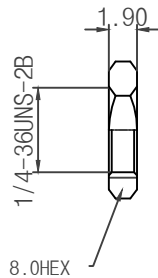
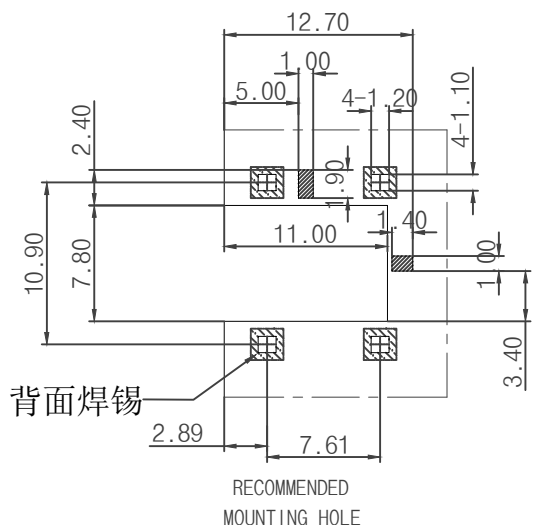
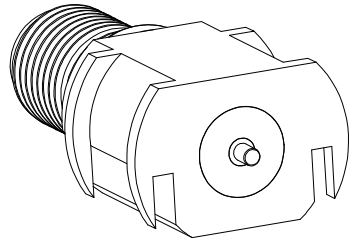


RoHS
Compliant

| BOM | | | | |
|------|------------------|------------|------|-------------|
| ITEM | COMPONENT | MATERIAL | Q'TY | FINISHED |
| 1 | BODY-1 | BRASS | 1 | GOLD PLATED |
| 2 | BODY-2 | BRASS | 1 | GOLD PLATED |
| 3 | INSULATOR | TEFLON | 2 | NONE |
| 4 | CENTER CONTACT 1 | BE. COPPER | 1 | GOLD PLATED |
| 5 | CENTER CONTACT 2 | BRASS | 1 | GOLD PLATED |
| 6 | LOCK WASHER | BRASS | 1 | GOLD PLATED |
| 7 | HEX NUT | BRASS | 1 | GOLD PLATED |



- ELECTRICAL PERFORMANCE :
1. Impedance : 50 ohms
 2. Frequency Range: 0-- 4GHz
 3. VSWR : 1.9 max.

| ITEM | Description | Revision | Mender |
|------|-------------|----------|--------|
| | | | |
| | | | |
| | | | |

| | | | | | |
|---------------|-----------|-----------|---|---|-----|
| REMARKS: | REV: | A1 | TITLE: | | |
| | DESIGNED: | WYP | SMA FEMALE BULKHEAD EDGE SWITCH CONNECTOR | | |
| | DRAWN: | WYP | ASSEMBLY DRAWING | SCALE: | FIT |
| | CHECKED: | XXXXX | DWG No: 2157-2A-P06 | SHEET SIZE: | A4 |
| | APPROVAL: | XXXXX | DATE: 2015/05/16 | UNITS: | mm |
| TOLERANCES: | | 3RD ANGLE | | Super Yong (Guang Zhou) electronic Co.Ltd | |
| DIM. X.X=±0.5 | | | | www.super-conn.com | |
| X.XX=±0.25 | | | | | |