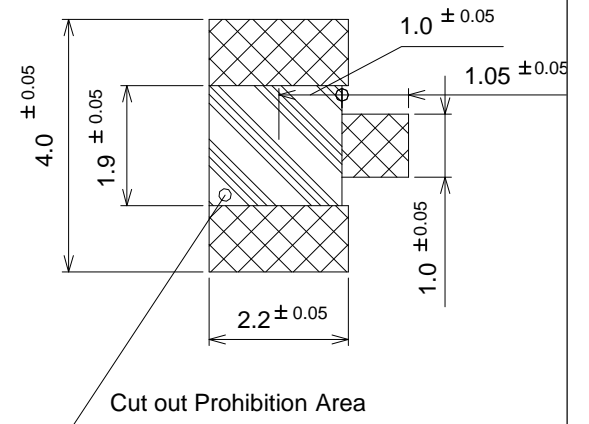
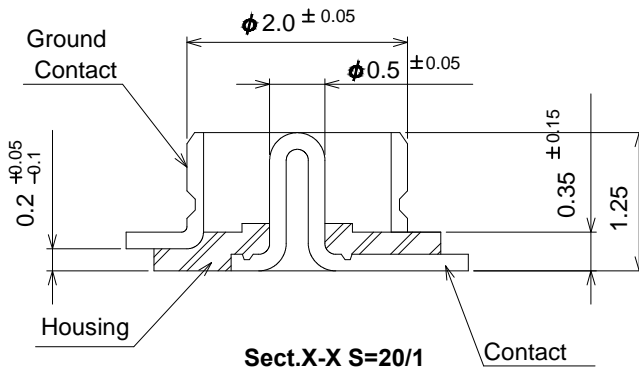
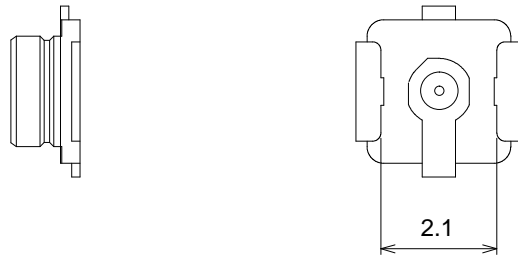
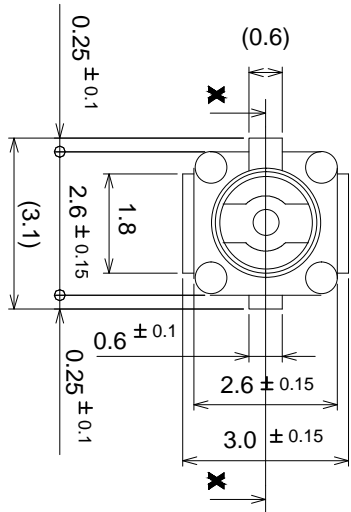


RoHS  
Compliant

BOM				
ITEM	DESCRIPTION	MATERIAL	Q'TY	FINISHED
1	HOUSING	LCP UL94V-0	1	NATURAL
2	CENTER PIN	COPPER ALLOY	1	GOLD PLATED
3	GROUND CONTACT	COPPER ALLOY	1	GOLD PLATED



RECOMMENDED FOOTPRINT PATTERN

ITEM	Description	Date	Revision	Mender
	Arrangement drawings	2016/11/04	A2	CARY
REVISIONS				

REMARKS:	REV:	A1	TITLE:		
	DESIGNED:	Cary	IPEX MHF RECEPTACLE 20279-001 E-01		
	DRAWN:	Cary	ASSEMBLY DRAWING	SCALE:	FIT
	CHECKED:	XXXXX	DWG No: 3301-1A-P04	SHEET SIZE:	A4
	APPROVAL:	XXXXX	DATE: 2014/09/16	UNITS:	mm
TOLERANCES:		3RD ANGLE			
DIM. X.X=±0.5		<b>SUPERCONN<sup>®</sup> TECHNOLOGY</b> <i>RF/Microwave Coaxial Connectors</i>			
X.XX=±0.25					