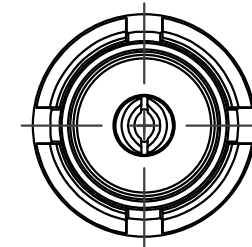
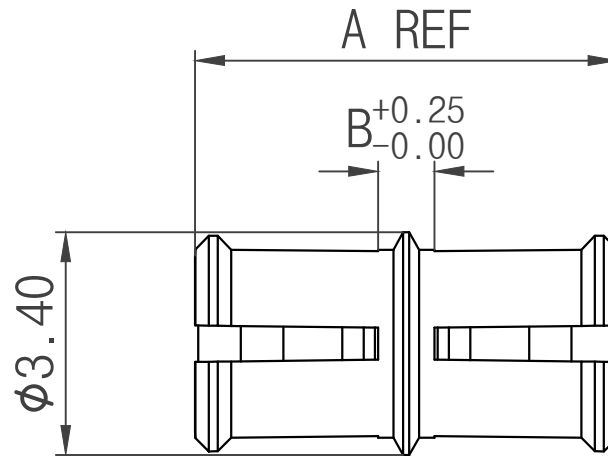


RoHS
Compliant

BOM				
ITEM	DESCRIPTION	MATERIAL	Q'TY	FINISHED
1	BODY	BERYLLIUM COPPER	1	GOLD PLATED
2	CENTER CONTACT	BERYLLIUM COPPER	1	GOLD PLATED
3	INSULATOR	TEFLON	1	NATURAL



ELECTRICAL PERFORMANCE


1. IMPEDANCE: 50 Ω
2. FREQUENCY RANGE: DC-26.5 GHz
3. VSWR: 1.35 MAXIMUM
4. Temperature : -65° C to +155° C
5. Rated Voltage : AC 60V

NOTES: FINISH (PLATING THICKNESS IN MICRO-INCHIES)

1. BERYLLIUM COPPER PER QQ-C-530
2. BERYLLIUM GOLD PL. 3 MICROINCH MINIMUM(NO NICKEL PLATING)
3. TEFLON PER MIL-P-19468.

DWG No:	A	B
3533-02A-645	6.4500	0.8600
3533-02A-700	7.0000	1.4100
3533-02A-1000	10.0000	4.4100
3533-02A-1450	14.5000	8.9100

ITEM	Description	Date	Revision	Mender
REVISIONS				

REMARKS:	REV:	A1	TITLE:			
	DESIGNED:	Cary	SMP FEMALE TO FEMALE "BULLET" ADAPTERS			
	DRAWN:	Cary	ASSEMBLY DRAWING	SCALE:	FIT	
	CHECKED:	XXXXX	DWG No:	SEE TABLE	SHEET SIZE:	A4
	APPROVAL:	XXXXX	DATE:	2015/01/09	UNITS:	mm
TOLERANCES:		3RD ANGLE		 Super Yong (Guang Zhou) electronic Co.Ltd RF&Microwave Coaxial Connectors www.super-conn.com		
DIM. X.X=±0.5 X.XX=±0.25						