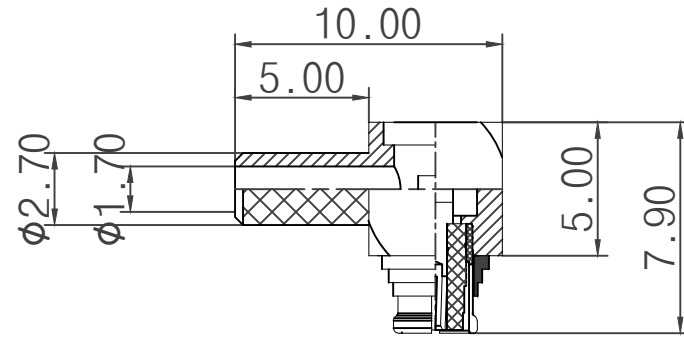
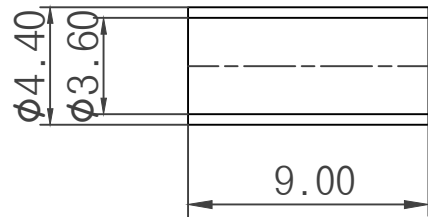


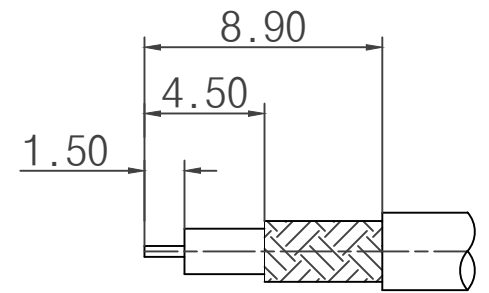
RoHS
Compliant

BOM				
ITEM	COMPONENT	MATERIAL	Q'TY	FINISHED
1	BODY-1	BRASS	1	GOLD PLATED
2	EMI RING	BRASS	1	GOLD PLATED
3	INSULATOR	TEFLON	2	NONE
4	CENTER CONTACT	BE. COPPER	1	GOLD PLATED
5	CAP	BRASS	1	GOLD PLATED
6	FERRULE	BRASS	1	NICKEL PLATED
7	ANTI-ROCK RING	BE. COPPER	1	GOLD PLATED



NOTES: FINISH (PLATING THICKNESS IN MICRO-INCHIES)

1. BRASS PER QQ-B-626
2. BERYLLIUM COPPER PER QQ-C-530
3. GOLD PL. 1.5 MIN. THICK OVER NICKEL PL. 60 MIN. OVER COPPER STRIKE
4. BERYLLIUM COPPER GOLD PL.5 MIN. THICK OVER NICKEL PL.70 MIN. OVER COPPER STRIKE



RECOMMENDED
CABLE STRIPPING DIM'S

ITEM	Description	Date	Revision	Mender
REVISIONS				

REMARKS:	REV:	A1	TITLE:		
	DESIGNED:	WYP	SMP JACK RIGHT ANGLE CRIMP FOR RG316D/U CABLE		
	DRAWN:	WYP	ASSEMBLY DRAWING	SCALE:	FIT
	CHECKED:	XXXXX	DWG No: 3514-2A-C0209	SHEET SIZE:	A4
	APPROVAL:	XXXXX	DATE: 2015/05/16	UNITS:	mm
TOLERANCES:		3RD ANGLE Super Yong (Guang Zhou) electronic Co.Ltd			
		DIM. X.X=±0.5		X.XX=±0.25	