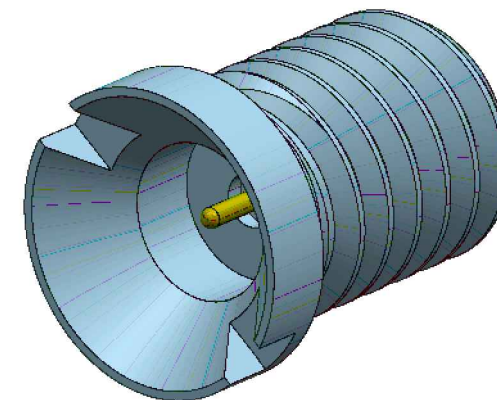
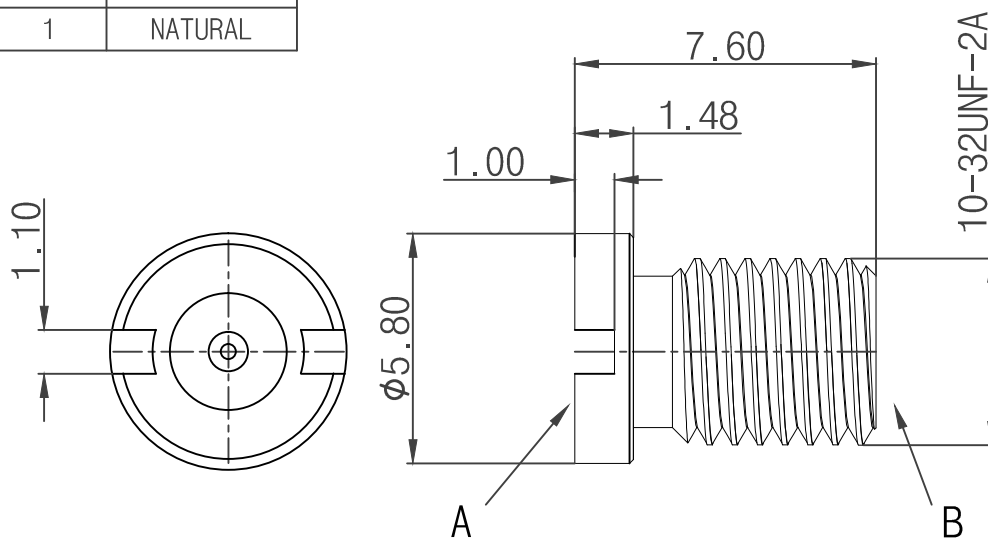


BOM				
ITEM	DESCRIPTION	MATERIAL	Q'TY	FINISHED
1	CENTER CONTACT	BRASS	1	GOLD PLATED
2	BODY	BRASS	1	GOLD PLATED
3	INSULATOR	TEFLON	1	NATURAL

RoHS
Compliant



ELECTRICAL:

IMPEDANCE: 50 OHMS

FREQ. RANGE: DC TO 18 GHZ

VSWR: 1.20:1 DC TO 18 GHZ

MATERIAL AND PLATING (PLATING THICKNESS IN MICRO-INCHES)

1. BRASS PER QQ-B-626
2. GOLD PL. 3 MIN. THICK OVER NICKEL PL. 60 MIN. OVER COPPER STRIKE
3. TEFLON PER MIL-P-19468.

		B		
		FULL DETENT	LIMITED DETENT	SMOOTH BORE
A	FULL DETENT	3513-11A-3535-FF	3513-11A-3535-FL	3513-11A-3535-FS
	LIMITED DETENT	3513-11A-3535-LF	3513-11A-3535-LL	3513-11A-3535-LS
	SMOOTH BORE	3513-11A-3535-SF	3513-11A-3535-SL	3513-11A-3535-SS
	CATCHER'S MIT	3513-11A-3535-CF	3513-11A-3535-CL	3513-11A-3535-CS

ITEM	Description	Date	Revision	Mender
	Rearranging the drawing	2016/04/16	A4	WYP
	Rearranging the drawing	2015/11/24	A3	WYP
	Change the hexagonal a circular shape	2015/11/23	A2	WYP
REVISIONS				

REMARKS:	REV:	A1	TITLE:			
	DESIGNED:	Cary	SMP MALE TO MALE ADAPTER			
	DRAWN:	Cary	ASSEMBLY DRAWING	SCALE:	FIT	
	CHECKED:	XXXXX	DWG No:	SEE TABLE	SHEET SIZE:	A4
	APPROVAL:	XXXXX	DATE:	2015/11/13	UNITS:	mm
TOLERANCES:		3RD ANGLE		Super Yong (Guang Zhou) electronic Co.Ltd www.super-conn.com		
DIM. X.X=±0.5 X.XX=±0.1						