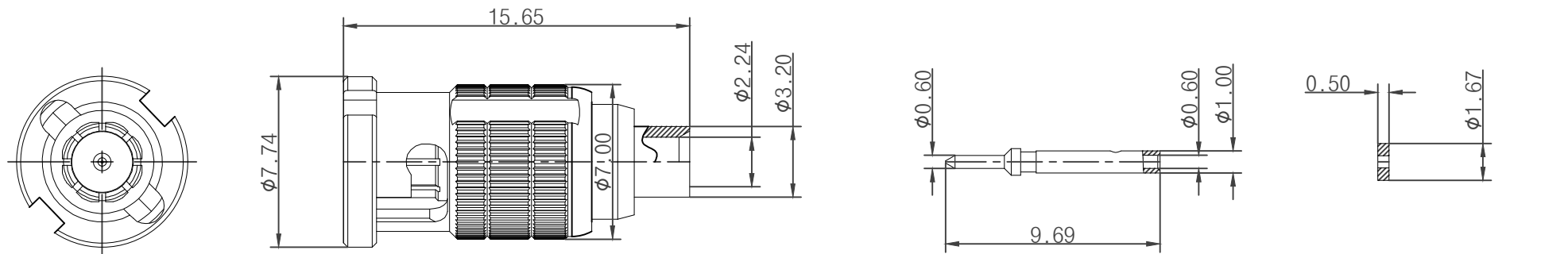


ITEM	DESCRIPTION	MATERIAL	Q'TY	FINISHED
1	SHELL	BRASS	1	NICKEL PLATING
2	BODY	BRASS	1	NICKEL PLATING
3	INSULATOR	TEFLON	1	NATURAL
4	GASKET	RUBBER	1	RED
5	RETAINER RING	BRASS	1	NICKEL PLATING
6	SPRING	SK5	1	NICKEL PLATING

7	WASHER	BRASS	1	NICKEL PLATING
8	REAR BODY	BRASS	1	NICKEL PLATING
9	CONTACT PIN	BRASS	1	GOLD PLATING
10	SLEEVE	POM	1	NATURAL

RoHS
Compliant

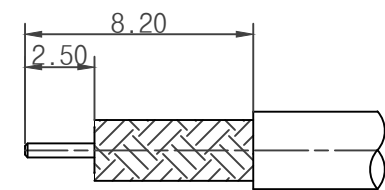


ELECTRICAL:

1. IMPEDANCE: 50 OHM
2. FREQUENCY RANGE: DC-6GHz
3. RETURN LOSS: 30dB min.@ 6 GHz

NOTES: FINISH (PLATING THICKNESS IN MICRO-INCHIES)

1. BRASS PER QQ-B-626
2. BRASS PER QQ-B-613
3. NICKEL PL.100 MIN. THICK OVER COPPER STRIKE
4. GOLD PL.3 MIN THICK OVER NICKEL PL.70 MIN. OVER COPPER STRIKE
5. TEFLON MIL-P-19468
6. SOLDER CENTER CONTACT TO CABLE CENTER CONDUCTOR.
7. SOLDER OUTER CONTACT OF CABLE REAR BODY.



RECOMMENDED
CABLE STRIPPING DIM'S

RevNo	Description	Date	Revision	Mender	REMARKS:	REV:	A1	TITLE:
2						DESIGNED:	WYP	HD-BNC STRAIGHT MALE SOLDER FOR RG405 .086 CABLE 500HM
1				DRAWN:		WYP	ASSEMBLY DRAWING	SCALE: FIT
				CHECKED:		XXXXX	DWG No: 4502-1A-C1125	SHEET SIZE: A4
				APPROVAL:		XXXXX	DATE: 2016/05/19	UNITS: mm
REVISIONS DIM. X.X=±0.5 X.XX=±0.25					TOLERANCES: DIM. X.X=±0.5 X.XX=±0.25	3RD ANGLE		Super Yong (Guang Zhou) electronic Co.Ltd www.super-conn.com