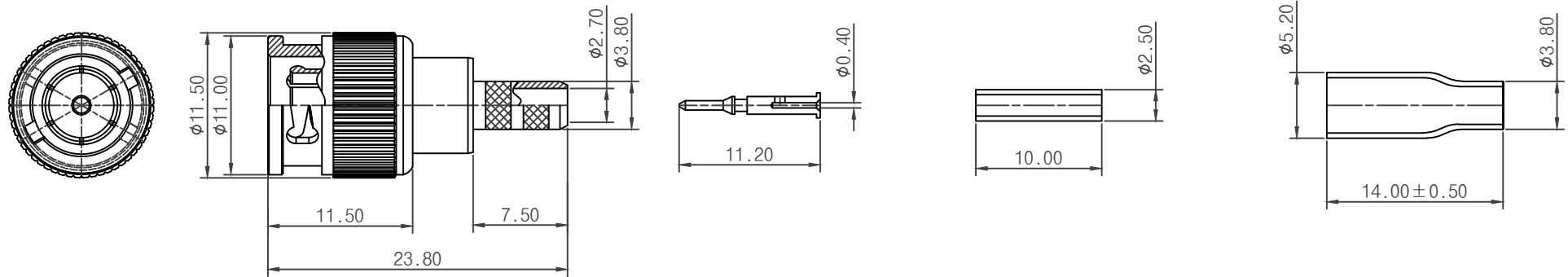


ITEM	DESCRIPTION	MATERIAL	Q'TY	FINISHED
1	SHELL	BRASS	1	NICKEL PLATING
2	BODY	BRASS	1	NICKEL PLATING
3	INSULATOR	TEFLON	1	NATURAL
4	GASKET	RUBBER	1	RED
5	RETAINER RING	BRASS	1	NICKEL PLATING
6	SPRING	SK5	1	NICKEL PLATING

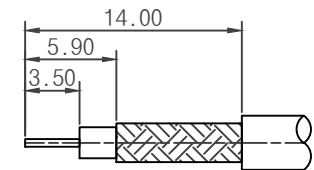
7	WASHER	BRASS	1	NICKEL PLATING
8	REAR BODY	BRASS	1	NICKEL PLATING
9	CONTACT PIN	BRASS	1	GOLD PLATING
10	SLEEVE	POM	1	NATURAL
11	FERRULE	BRASS	1	NICKEL PLATING

RoHS
Compliant



NOTES: FINISH (PLATING THICKNESS IN MICRO-INCHIES)

1. BRASS PER QQ-B-626
2. BRASS PER QQ-B-613
3. NICKEL PL.100 MIN. THICK OVER COPPER STRIKE
4. GOLD PL.3 MIN THICK OVER NICKEL PL.70 MIN. OVER COPPER STRIKE
5. TEFLON MIL-P-19468
6. CRIMPED FERRULE HEX CRIMP SIZE .178"
7. CRIMPED CONTACT PIN SQ CRIMP SIZE .042" OR TO SOLDER



RECOMMENDED
CABLE STRIPPING DIM'S

RevNo	Description	Date	Revision	Mender
2				
1				
REVISIONS				

REMARKS:	REV:	A1	TITLE:		
	DESIGNED:	WYP	Mini-BNC PLUG CRIMP FOR RG179/U CABLE		
	DRAWN:	WYP	ASSEMBLY DRAWING	SCALE:	FIT
	CHECKED:	XXXXX	DWG No: 4301-1B-C0111	SHEET SIZE:	A4
	APPROVAL:	XXXXX	DATE: 2016/05/19	UNITS:	mm
TOLERANCES:		3RD ANGLE Super Yong (Guang Zhou) electronic Co.Ltd www.super-conn.com			
DIM. X.X=±0.5 X.XX=±0.25					