

BOM				
ITEM	DESCRIPTION	MATERIAL	Q'TY	FINISHED
1	CENTER CONTACT	BERYLLIUM COPPER	1	GOLD PLATED
2	BODY	BERYLLIUM COPPER	1	GOLD PLATED
3	INSULATOR	TEFLON	1	NATURAL
4	SPRING CLIP	BERYLLIUM COPPER	1	GOLD PLATED
5	SLEEVE	STAINLESS STEEL	1	PASSIVATED

6	SPRING	65Mn	1	NATURAL
7	BUSHING	BRASS	1	GOLD PLATED
8	SPACER	TEFLON	1	NATURAL

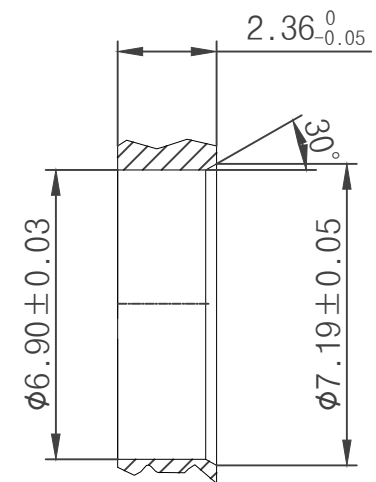
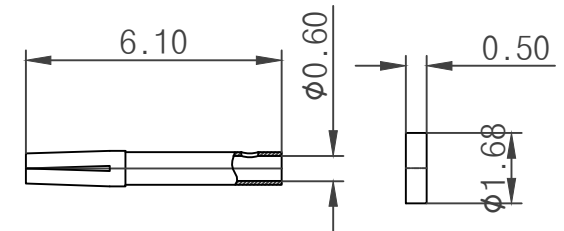
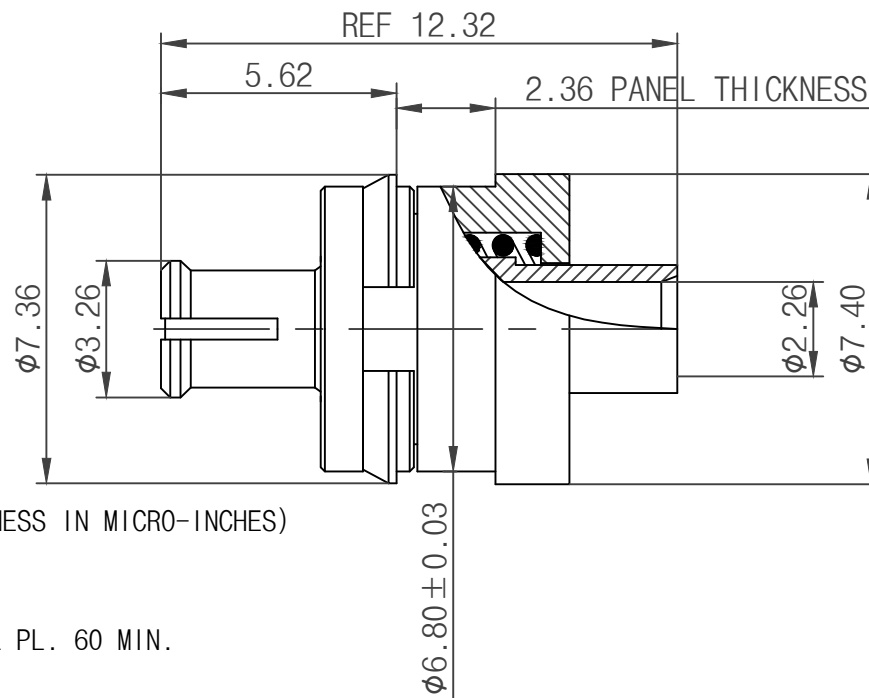
RoHS
Compliant

ELECTRICAL :

IMPEDANCE: 50 OHMS
 FREQ. RANGE: DC TO 18.0 GHZ
 VSWR: 1.20 MAX.
 INSERTION LOSS: 0.25 dB MAX.

MATERIAL AND PLATING (PLATING THICKNESS IN MICRO-INCHES)

1. BRASS PER QQ-B-626
2. BERYLLIUM COPPER PER STM B196
3. GOLD PL. 3 MIN. THICK OVER NICKEL PL. 60 MIN. OVER COPPER STRIKE
4. GOLD PL. 35 MIN. THICK OVER NICKEL PL. 60 MIN. OVER COPPER STRIKE
5. TEFLON PER MIL-P-19468.
6. SUS303 STAINLESS STEEL.



RECOMMENDED MOUNTING HOLE

ITEM	Description	Date	Revision	Mender
REVISIONS				

REMARKS:

TOLERANCES:

DIM. X.X=±0.5
 X.XX=±0.25

REV:	A1	TITLE:			
DESIGNED:	Cary	SMP FEMALE FLOAT MOUNT RG405, 2.36 PANEL THK.			
DRAWN:	Cary	ASSEMBLY DRAWING	SCALE:	FIT	
CHECKED:	XXXXX	DWG No: 3506-2A-C1125	SHEET SIZE:	A4	
APPROVAL:	XXXXX	DATE: 2015/01/09	UNITS:	mm	

3RD ANGLE