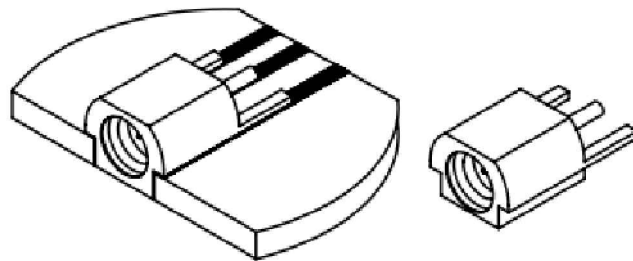


BOM				
ITEM	DESCRIPTION	MATERIAL	Q'TY	FINISHED
1	CENTER CONTACT	BRASS	1	GOLD PLATED
2	OUTER CONTACT	BRASS	1	GOLD PLATED
3	DIELECTRIC	TEFLON	1	NATURAL



RoHS
Compliant

NOTES

ELECTRICAL PERFORMANCE

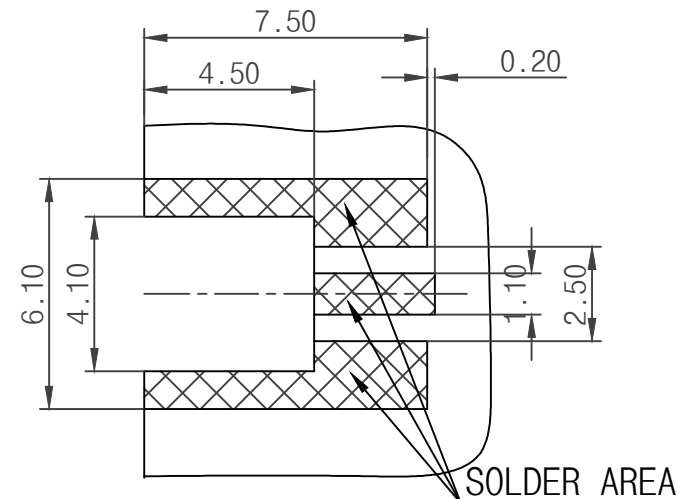
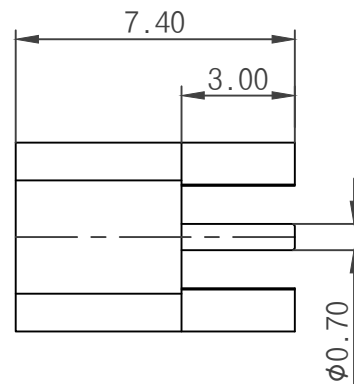
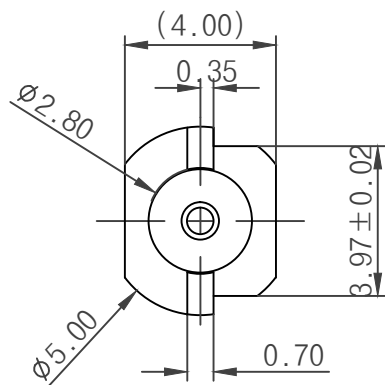
1. IMPEDANCE: 50 Ω
2. FREQUENCY RANGE: DC 26.5 GHz
3. VSWR: 1.20 MAXIMUM

DURABILITY: (MATING CYCLES MINIMUM)

- FULL DETENT (ALL FEMALE CONNECTORS AND ADAPTERS): 100
- LIMITED DETENT (FEMALE ADAPTERS ONLY): 500
- SMOOTH BORE AND CATCHER' SMIT (FEMALE ADAPTERS ONLY): 1000

MATERIAL AND PLATING (PLATING THICKNESS IN MICRO-INCHES)

1. BRASS PER QQ-B-626
2. GOLD PL. 3 MIN. THICK OVER NICKEL PL. 60 MIN. OVER COPPER STRIKE
3. GOLD PL. 35 MIN. THICK OVER NICKEL PL. 60 MIN. OVER COPPER STRIKE
4. TEFLON MIL-P-19468.



RECOMMENDED PCB CUTOUT

DWG No.	REMARKS
3505-1A-P05-SB	SMOOTH BORE
3505-1A-P05-LD	LIMITED DETENT
3505-1A-P05-FD	FULL DETENT

ITEM	Description	Date	Revision	Mender
	Collation Drawings	2015/01/09	A2	CKQ
REVISIONS				

REMARKS:	REV:	A1	TITLE:		
	DESIGNED:	Cary	SMP EDGE MOUNT PLUG - 50 OHM		
	DRAWN:	Cary	ASSEMBLY DRAWING	SCALE:	FIT
	CHECKED:	XXXXX	DWG No: 3505-1A-P05	SHEET SIZE:	A4
	APPROVAL:	XXXXX	DATE: 2014/10/27	UNITS:	mm
TOLERANCES:		3RD ANGLE		Super Yong (Guang Zhou) electronic Co.Ltd www.super-conn.com	
DIM. X.X=±0.5					
X.XX=±0.25					