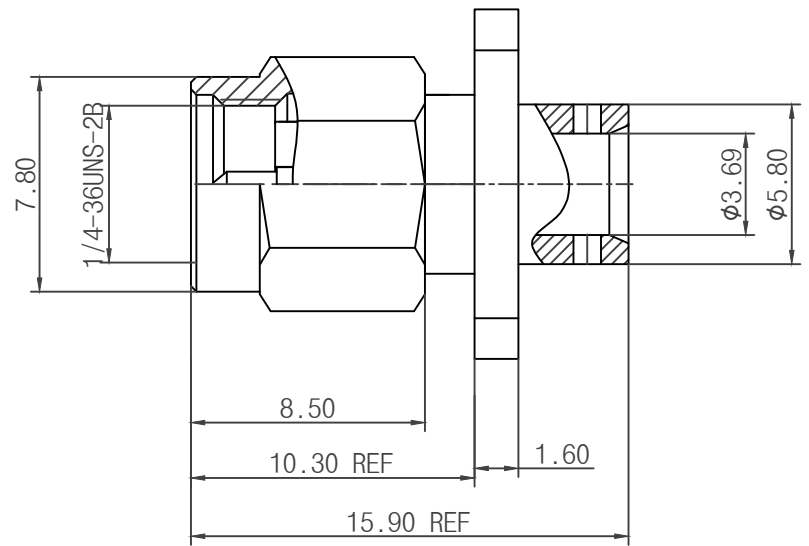
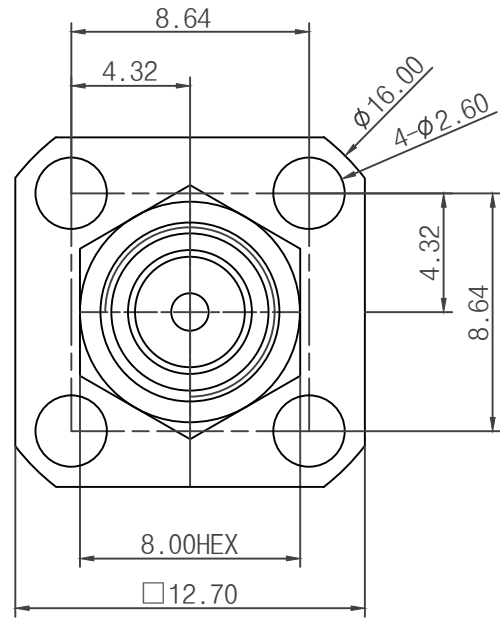


RoHS
Compliant

ITEM	DESCRIPTION	MATERIAL	Q'TY	FINISHED
1	NUT	BRASS	1	GOLD PLATED
2	INSULATOR	TEFLON	1	NATURAL
3	GASKET	SILICON	1	RED
4	BODY	BRASS	1	GOLD PLATED
5	CONTACT PIN	BRASS	1	GOLD PLATED



ELECTRICAL:

1. IMPEDANCE: 50 OHM
2. FREQUENCY RANGE: 0-18 GHz
3. VSWR: ≤1.35 MAX TO 18GHz

NOTES: FINISH (PLATING THICKNESS IN MICRO-INCHES)
GOLD PL. 3 MICROINCH MINIMUM

ITEM	Description	Revision	Mender

REMARKS:	REV:	A1	TITLE: SMA MALE PANEL MOUNT SOLDER FOR SEMI-RIGID RG402 .141 CABLE - 4 HOLE SQ FLANGE		
	DESIGNED:	WYP			
	DRAWN:	WYP	ASSEMBLY DRAWING	SCALE:	FIT
	CHECKED:	XXXXX	DWG No: 2108-1A-C1124	SHEET SIZE:	A4
	APPROVAL:	XXXXX	DATE: 2016/03/18	UNITS:	mm
TOLERANCES:					
DIM. X.X=±0.5					
X.XX=±0.25					
3RD ANGLE		Super Yong (Guang Zhou) electronic Co.Ltd www.super-conn.com			