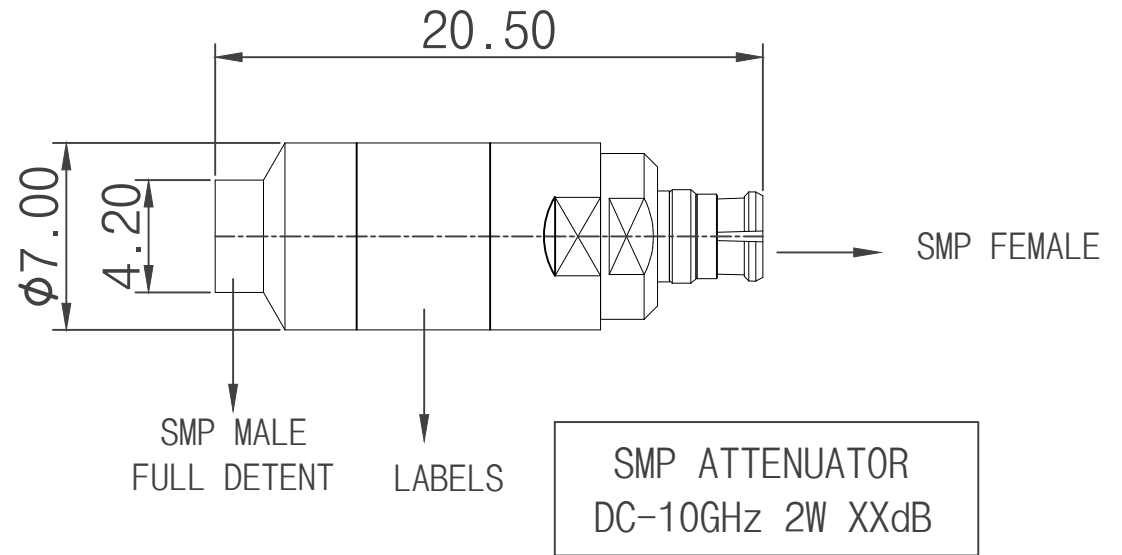


BOM				
ITEM	COMPONENT	MATERIAL	Q'TY	FINISHED
1	BODY-MALE	BRASS	1	GOLD PLATED
2	BODY-FEMALE	BE. COPPER		GOLD PLATED
3	EMI RING	BE. COPPER	1	GOLD PLATED
4	INSULATOR	TEFLON	2	NONE
5	CENTER CONTACT-FEMALE	BE. COPPER	1	GOLD PLATED
6	CENTER CONTACT-MALE	BRASS	1	GOLD PLATED
7	CAP	BRASS	1	GOLD PLATED
8	FERRULE	BRASS	1	NICKEL PLATED
9	LABELS	--	1	--

RoHS  
Compliant



ELECTRICAL

IMPEDANCE: 50 Ω

FREQUENCY: DC 0-10 GHz

VSWR: 1.15 @ DC-2 GHz

1.20 @ DC2-6 GHz

1.35 @ DC6-10 GHz

PEAK POWER:100W for 25 MICROSECONDS

AVERAGIE POWER(WATTS): 2

ATTENUATOR: 6dB, 10dB, 20dB, 30dB,

(6dB-10dB) ± 0.5dB,

(20dB-30dB) ± 1dB

ITEM	Description	Revision	Mender

REMARKS:	REV:	A1	TITLE:		
	DESIGNED:	WYP	SMP FIXED ATTENUATOR 2W 10GHz, 6dB, 10dB, 20dB, 30dB		
	DRAWN:	WYP	ASSEMBLY DRAWING	SCALE:	FIT
	CHECKED:	XXXXX	DWG No: 8235-2W-10G-XX	SHEET SIZE:	A4
	APPROVAL:	XXXXX	DATE: 2016/03/23	UNITS:	mm
TOLERANCES:		3RD ANGLE		Super Yong (Guang Zhou) electronic Co.Ltd	
DIM. X.X=±0.5				www.super-conn.com	
X.XX=±0.25					