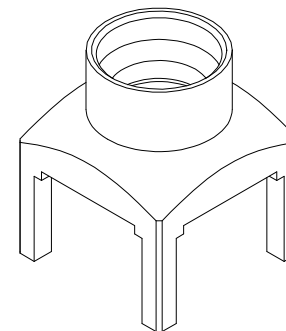
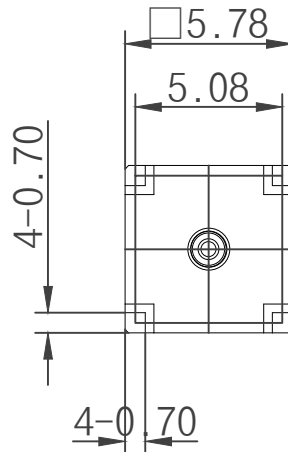
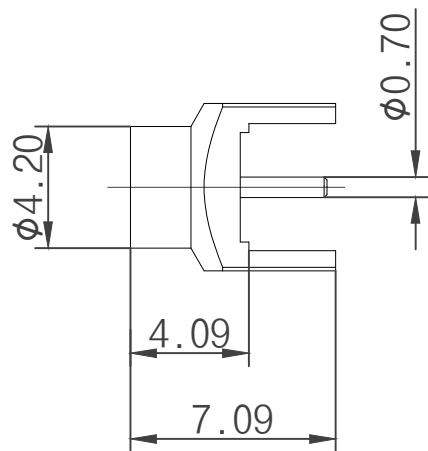


BOM				
ITEM	DESCRIPTION	MATERIAL	Q'TY	FINISHED
1	CENTER CONTACT	BRASS	1	GOLD PLATED
2	BODY	BRASS	2	GOLD PLATED
3	INSULATOR	TEFLON	2	NATURAL

RoHS
Compliant

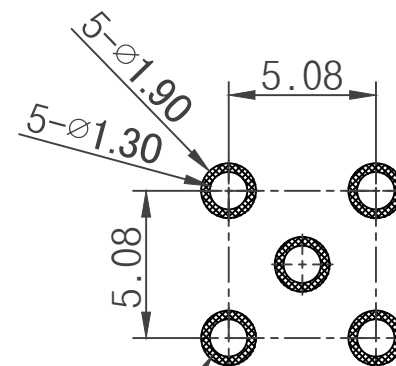


ELECTRICAL:

IMPEDANCE: 50 OHMS
 FREQ. RANGE: DC TO 26.5 GHz
 VSWR: 1.20:1 DC TO 26.5 GHz

MATERIAL AND PLATING (PLATING THICKNESS IN MICRO-INCHES)

1. BRASS PER QQ-B-626
2. GOLD PL. 3 MIN. THICK OVER NICKEL PL. 60 MIN. OVER COPPER STRIKE
3. TEFLON PER MIL-P-19468.



Solder area

PCB LAYOUT

ITEM	Description	Date	Revision	Mender
REVISIONS				

REMARKS:	REV:	A1	TITLE:		
	DESIGNED:	Cary	SMP STRAIGHT PLUG PCB LIMITED DETENT		
	DRAWN:	Cary	ASSEMBLY DRAWING	SCALE:	FIT
	CHECKED:	XXXXX	DWG No: 3502-1A-P01	SHEET SIZE:	A4
	APPROVAL:	XXXXX	DATE: 2014/11/13	UNITS:	mm
TOLERANCES:		3RD ANGLE		Super Yong (Guang Zhou) electronic Co.Ltd	
DIM. X.X=±0.5					
X.XX=±0.1					